



MICRA



TIIDA



350Z ROADSTER



MURANO



QASHQAI



PATROL



PATHFINDER



X-TRAIL



PRIMASTAR



INTERSTAR



PATROL PICKUP



CABSTAR

# NISSAN CABSTAR



SHIFT\_ is an English word from a Japanese car company that best embraces our values and the mission of this corporation. No matter where you are in the world, SHIFT\_ is the way we express who we are, how we work and what we are trying to accomplish. Everything we touch, we SHIFT\_. And everything we SHIFT\_ we try to make better and uniquely NISSAN.

Visit our website at: [www.nissan.co.za](http://www.nissan.co.za)

Phone us toll free:  
**0800 NISSAN**  
**0800 647 726**

SHIFT\_expectations



Every effort has been made to ensure that the content of this publication is correct at the time of going to press (June 2008). This brochure has been produced featuring prototype vehicles exhibited at motor shows and, in accordance with the company's policy of continuously improving its products. Nissan South Africa reserves the right to change the specification and the vehicles described and shown in this publication at any time. Nissan dealers will be informed of any such modifications as quickly as possible. Please check with your local Nissan dealer to receive the most up-to-date information. Due to the limitations of the printing processes used, the colours shown in this brochure may differ slightly from the actual colours of the paint and interior trim materials used. All rights reserved. Reproduction in whole or part of this brochure without the written permission of Nissan is forbidden.





## SHIFT\_

A single word that captures more than a vision. More than a philosophy. It's a dedication to looking at the familiar in a different way. To opening the mind to new ways of thinking. And forever advancing the way people move through the world.

# CABSTAR



## SHIFT\_solutions

At Nissan, we know that businesses are not all the same. They have different challenges to face and they have different ways of meeting their customers' requirements. One thing they do have in common is the need for a dependable, reliable and cost-efficient transport solution.

With this in mind, we've designed a vehicle that will answer almost any requirement in its class. With both Single and Double Cab variants and a variety of body installations, the Nissan Cabstar 20 always gets the job done.

## CONTENTS

WHATEVER YOUR BUSINESS, THERE'S A CABSTAR TO FIT	02
BUILT TO MEAN BUSINESS	05
PUT MORE DRIVE INTO YOUR BUSINESS WITH CABSTAR	
COMFORT AND HANDLING	08
WHEN TIME MEANS MONEY, THE CABSTAR MEANS BUSINESS	11
AS SAFE FOR THE LOAD AS IT IS FOR THE DRIVER	12
THE FREEDOM TO CHOOSE	12

## WHATEVER YOUR BUSINESS, THERE'S A CABSTAR TO FIT

With the trend of "just-in-time" deliveries growing rapidly, the Nissan Cabstar 20 provides the ideal solution in terms of load and size for just about any business requirement.

Its size means that it's more manoeuvrable and easier to park in normal parking bays than larger payload vehicles, yet it allows for improved driver and crew comfort and greater load capacity than a one ton pickup. The Single Cab model accommodates three persons, with crew space for five in the Double Cab, and its highly adaptable rear body section makes the Nissan Cabstar 20 versatile enough for any business.





## BUILT TO MEAN BUSINESS

05

Whatever the load, the Nissan Cabstar 20 makes light of it. Its reliable indirect fuel injection QD 32 engine with matched driveline really packs the punch your business needs. With a 3.153 litre capacity, it provides 70kW of power at 3600rpm and 210Nm of torque at 2000rpm, resulting in an impressive power/mass ratio of 19.97kW/ton – a low-maintenance power plant offering low cost per kilometer, long life and reliability.

The engine is complemented by a 5 speed synchromesh gearbox with double synchro design on the 2nd and 3rd gears to ensure smooth and effortless gear change and reduced noise. Combine that with an overdrive top gear, differential with high driving force and optimal gear ratios, and you get smooth, steady acceleration and top-notch fuel consumption. All in all, reliable power and performance to move your business forward.





## PUT MORE DRIVE INTO YOUR BUSINESS WITH CABSTAR COMFORT AND HANDLING

Because comfort and ease of driving all add up to better business practice, the Nissan Cabstar 20 has been equipped with all the necessary features to make your driving experience as satisfying as possible.

Soft trim, an adjustable driver's seat and adjustable tilt and telescopic tilt steering column with well-placed controls make sitting in the spacious cabin a pleasure, while power steering, a short shift lever, and road holding of the highest standard provide full driving ease and confidence.

Add a noise insulated cab interior, effective cabin airflow through an advanced ventilation system, maximum head clearance and floor space, wide door opening angles for ease of entry and exit, and one-piece fully trimmed doors with armrests, and experience a vehicle that puts you comfortably ahead.



# WHEN TIME MEANS MONEY, THE CABSTAR MEANS BUSINESS



Because less downtime for your vehicle means more uptime for your business, the Nissan Cabstar 20 was designed with reliability and maintainability firmly in mind. Easy access to the engine, fuel filters and brake fluid reservoir means simplified maintenance tasks and reduced costs, while extensive use of Durasteel and PVC components in the cab ensure durability, and an E-coating allows for a 3-year rust warranty.

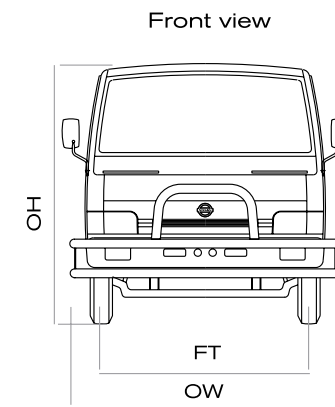
In addition, the smooth, aerodynamic design of the cab allows for lower fuel consumption, and the comfortable cab suspension means less wear and tear and therefore less downtime for maintenance. Add a large size differential and clutch plate and you get built-in reliability and built-in cost-cutting.



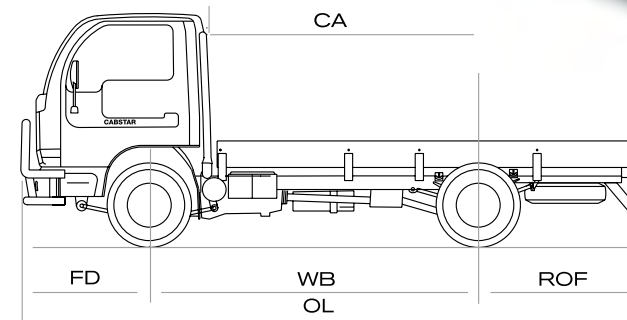
To keep your business safely on the road, the Nissan Cabstar 20 has a host of active safety features such as a large 3 dimensional windscreen for excellent all-round vision, fully independent front suspension and semi-elliptic rear leaf springs specially adapted to South African conditions. Depending on the load body configuration, maximum payload varies from 1.175kg to 1.600kg in the case of the Single Cabs, and 1.330kg with a full work crew in a Double Cab.

And to match its driving power, the Cabstar 20 features vacuum hydraulic load-sensing service brakes in a dual line braking system with ventilated front disc brakes to prevent brake fading. Plus an exhaust brake that produces an engine brake effect when engine compression increases, reducing frequent use of the foot brake and gearshift lever – a feature that is unique to the Cabstar 20 in its class. Illuminated meters and gauges, and powerful halogen headlights round off the impressive active safety system.

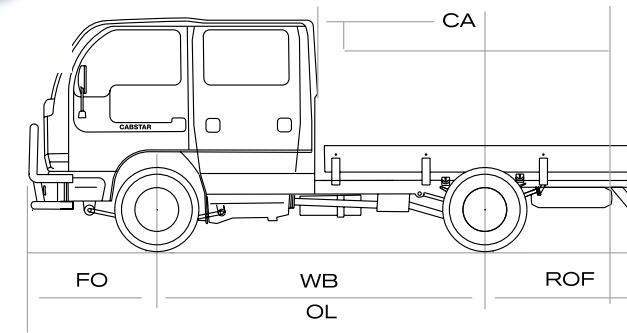
To complement its active safety features, the Nissan Cabstar 20 also features standard front seatbelts, a nudgebar and a rear step bumper, as well as interior trim and upholstery that is fire resistant, so that you and your load are protected from the inside in the unfortunate event of an accident.



Side view (Single Cab)



Side view (Double Cab)



THE FREEDOM TO CHOOSE

Your business is unique. Your transport solution should be too. With both Single and Double Cab variants and a variety of body installations, you can customise your Cabstar 20 to meet your every requirement.

UPHOLSTERY




Patterned PVC Trim

# TECHNICAL SPECIFICATIONS

			SINGLE CAB	DOUBLE CAB
<b>ENGINE</b>				
	Type	QD 32	•	•
	Configuration and number of cylinders	Indirect injection, in-line 4 cylinder	•	•
	Displacement	3 153cm <sup>3</sup>	•	•
	Maximum power output	70kW @ 3 600rpm	•	•
	Maximum torque	210Nm @ 2 000rpm	•	•
	Governor type	Mechanical	•	•
<b>CLUTCH</b>				
	Type	D 260 K single dry plate	•	•
	Operation	Hydraulic only	•	•
	Disc diameter	260mm	•	•
	Friction area	330cm <sup>2</sup>	•	•
<b>GEARBOX</b>				
	Make	Nissan RS5R 91A	•	•
	Type	5 speed synchromesh	•	•
<b>BRAKES</b>				
	Service brakes	Vacuum assisted dual line hydraulic brakes with front discs and rear drums	•	•
	Emergency/park brakes	Cable operated on rear axle	•	•
	Brake	Rear wheel mounted drum brakes	•	•
	Exhaust brake	Remote mounted butterfly type	•	•
	Total brake lining area	933cm <sup>2</sup>	•	•
<b>WHEELS AND TYRES</b>				
	Rims	16 x 6J	•	•
	Tyres	205/75R16C	•	•
	Spare wheel	Chassis mounted	•	•
<b>FRONT AXLE</b>				
	Type	Independent stub axle type with double wishbone and torsion bar	•	•
<b>REAR AXLE</b>				
	Type	Full floating banjo type with hypoid single reduction differential and leaf spring shackle mounted suspension	•	•
	Suspension	Semi-elliptic steel leaf springs with dual acting telescopic shock absorbers	•	•
<b>CHASSIS</b>				
	Type	Parallel ladder	•	•
	Frame section	165 x 50 x 5 mm	•	•
<b>STEERING</b>				
	Type	Hydraulic power assisted recirculating ball and screw	•	•
	Ratio	22.6:1	•	•
	Number of turns lock to lock	4	•	•
<b>CAB</b>				
		Seating capacity	3 persons	3 persons
		Forward control cab narrow series in Durasteel	•	•
		Two windscreen wipers with two speeds plus intermittent settings	•	•
		Two external rear-view mirrors mounted on the cab doors	•	•
		Adjustable driver's seat	•	•
		Fixed bench type assistant's seat	•	•
		Fold away bench type seat at the rear	•	•
		Cigarette lighter	•	•
		Column mounted controls for lights, indicators, windscreen wipers/washer and exhaust brake	•	•
		Seatbelt as standard equipment on front seats only	•	•
		Full soft cab trim	•	•
	Instruments	Speedometer with odometer and tripmeter, fuel gauge, engine temperature gauge, audio and visual warning devices	•	•
<b>ELECTRICAL EQUIPMENT</b>				
	Alternator	Hitachi 12V 60A	•	•
	Starter motor	Hitachi 12V	•	•
	Batteries	1 x 12V, Code 657	•	•

# TECHNICAL SPECIFICATIONS

			SINGLE CAB	DOUBLE CAB
<b>CLEAN AIR SYSTEM</b>				
	Air cleaner type	Dry cyclonic with replaceable element	•	•
	Air cleaner diameter	260mm	•	•
<b>ADDITIONAL EQUIPMENT</b>				
	Jack		•	•
	Locking fuel cap		•	•
	Bullbar standard fitment		•	•
	Toolkit		•	•
	Owner's handbook/service booklet		•	•
	Rear bumper standard fitment		•	•
	Warning triangle		•	•
	Rear body – consult dealer for body options		•	•
<b>DIMENSIONS</b>				
	Wheelbase (WB)		2 515mm	2 515mm
	Overall length (OL)		4 855mm	4 855mm
	Overall width (OW)		1 860mm	1 860mm
	Overall height (OH)		2 080mm	2 080mm
	Ground clearance (rear)		225mm	225mm
	Track front (FT)		1 410mm	1 410mm
	Track rear (RT)		1 380mm	1 380mm
	Overhang front (FO)		1 080mm	1 080mm
	Overhang rear (ROF)		1 260mm	1 260mm
	Centre of front axle to rear of cab		571mm	1 571mm
	Centre of rear axle to rear of cab (CA)		1 998mm	998mm
	Chassis width		840mm	840mm
	Turning circle (between kerbs)		10.6m	10.6m
	Fuel tank capacity		65ℓ	65ℓ
	Recommended max rear body length		3 200mm	2 200mm
	Recommended max rear body width		1 900mm	1 900mm
	Recommended max rear body height		1 900mm	1 900mm
<b>MASS INFORMATION</b>				
	Tare mass chassis/cab		1 605kg	1 640kg
	Tare mass on front axle		1 015kg	1 080kg
	Tare mass on rear axle		590kg	560kg
	Legal body and payload allowance		1 900kg	1 865kg
	Manufacturer's gross front axle massload (GA)		1 600kg	1 600kg
	Manufacturer's gross rear axle/unit massload (GA/GAU)		2 300kg	2 300kg
	Manufacturer's gross vehicle mass (GVM)		3 505kg	3 505kg
	Manufacturer's gross combination mass (GCM)		4 505kg	4 505kg
	Max permissible front axle massload (A)		1 600kg	1 600kg
	Max permissible rear axle/unit massload (A/AU)		2 300kg	2 300kg
	Max permissible vehicle mass (V)		3 505kg	3 505kg
	Max permissible drawing vehicle mass (D/T)		4 505kg	4 505kg
<b>PERFORMANCE DATA</b>				
	Final drive ratio		4.875:1	4.875:1
	Power/mass ratio kW/ton		19.97	19.97



**All Nissan vehicles now come with a Microdot high-tech anti-theft security feature.**

Since 4 October 2006, all new Nissan vehicles are fitted with the Microdot hi-tech anti-theft security feature as standard. The Microdot technology offers added peace of mind from a security perspective. A sticker applied to the vehicle is a visual indication that the vehicle has been fitted with Nissan Microdot, and this is also a deterrent to would-be thieves. Some insurance houses are offering premium discounts to customers if they have this anti-theft feature fitted to their vehicles.

MyNissan.co.za

All Nissan vehicle owners become part of the Nissan family, so the MyNissan site has been created exclusively to enhance the Nissan Owner's experience. Once you register, you'll be informed on special offers, promotions, vehicle launches and events, and a host of other benefits. You can also expect to receive service announcements, a full service guide, vehicle care advice and convenient reminders when your vehicle licence renewal is due. The Nissan Call Centre staff can be contacted via e-mail to reply to any queries. And the site offers a link where you can share information and adventure stories with other Nissan owners.